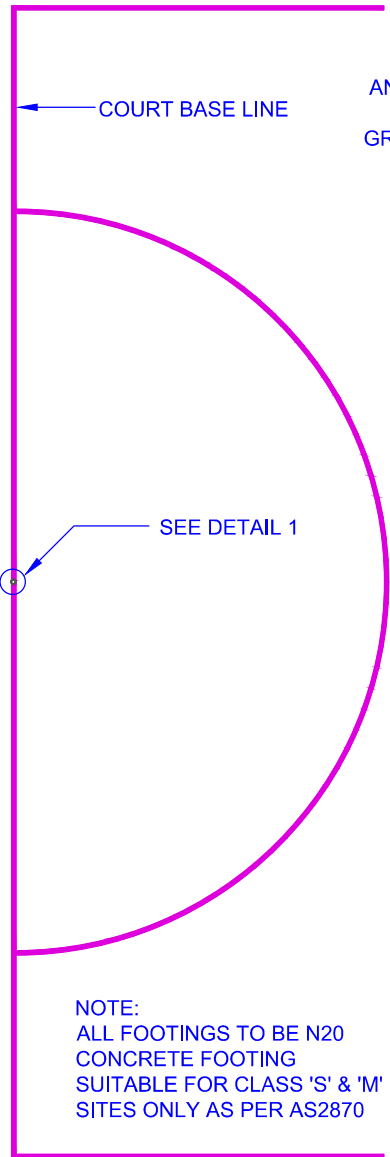
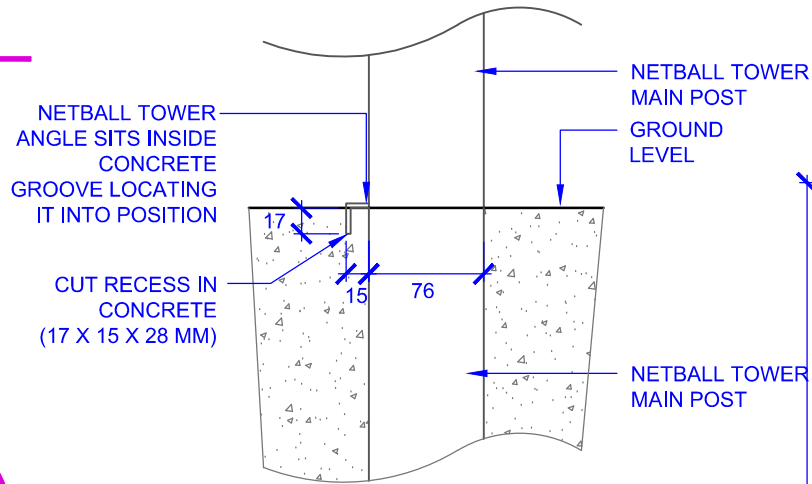


ASSEMBLY INSTRUCTIONS

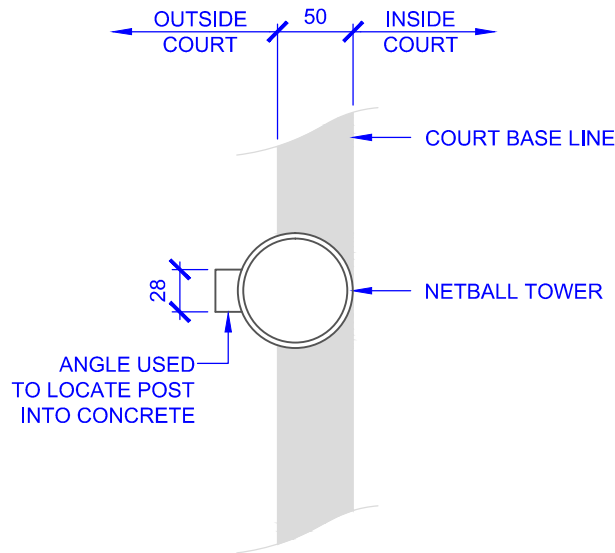


**TOP VIEW
NETBALL COURT**
SCALE 1:100

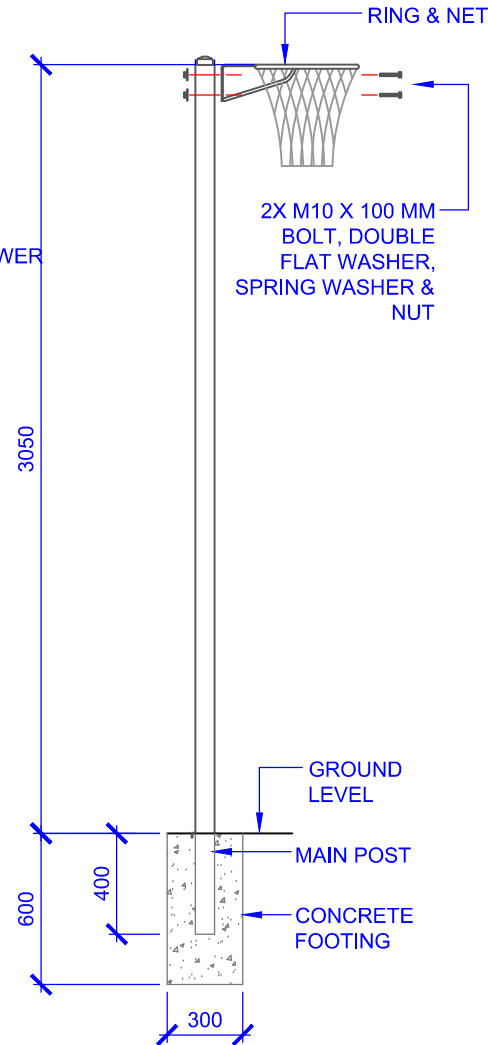
NOTE:
ALL FOOTINGS TO BE N20
CONCRETE FOOTING
SUITABLE FOR CLASS 'S' & 'M'
SITES ONLY AS PER AS2870



**SIDE VIEW
GROUND SLEEVE DETAIL**
SCALE 1:5



**TOP VIEW
DETAIL 1**
SCALE 1:5



**SIDE VIEW
NS76 NETBALL TOWER**
SCALE 1:30

COMPONENTS

QTY	ITEM
1	MAIN POST
1	NETBALL RING
1	NETBALL NET
2	M10 X 100 MM BOLT & NUT
4	M10 FLAT WASHER
2	M10 SPRING WASHER
-	-
-	-
-	-
-	-
-	-
-	-
-	-
-	-
-	-
-	-

TITLE: NS76 NETBALL TOWER	
DRAWING NUMBER: NS76 ASSEMBLY	
WEIGHT: -	CUBIC MEASURE -



Oz Ring Pty Ltd
Trading as:
Play Hard Sports Equipment
ABN 79 066 094 559
24 Ern Harley Drive
Burleigh Heads Qld 4220
Phone: (07) 5593 4494
Fax: (07) 5593 4338
Website: www.playhardsports.com.au
Email: email@playhardsports.com.au