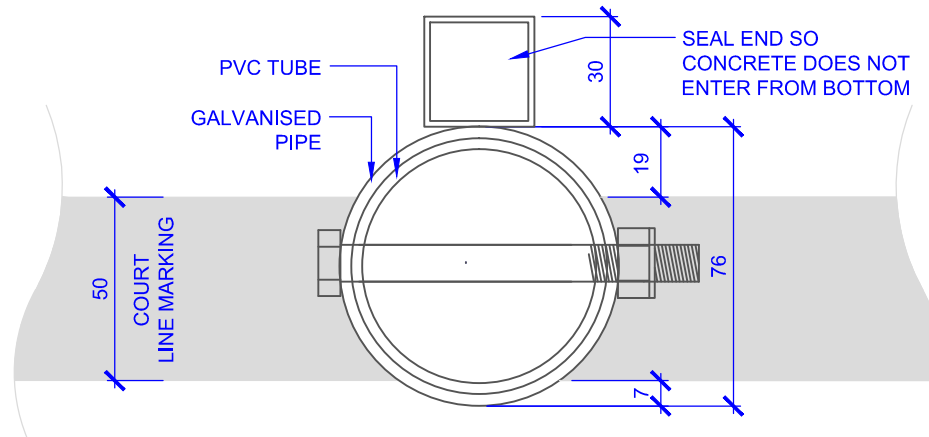
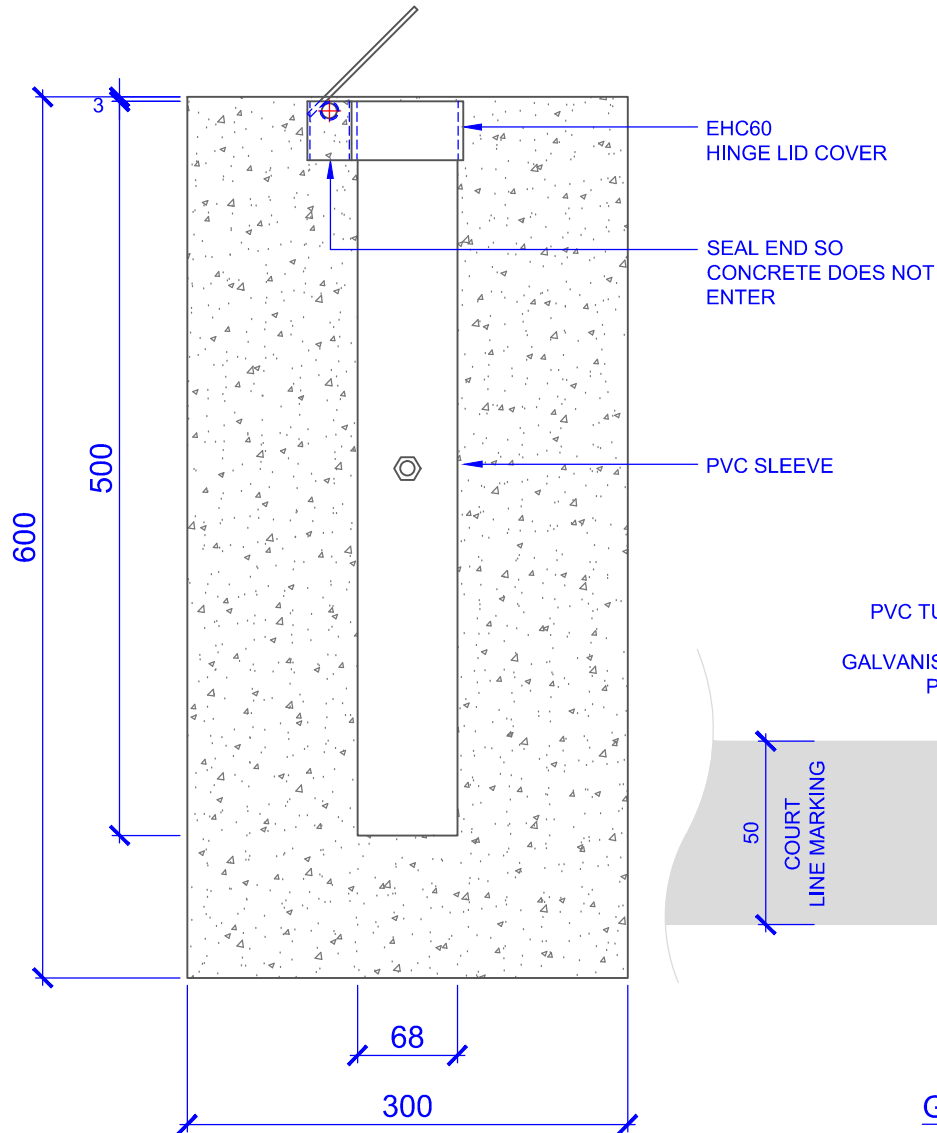


ASSEMBLY INSTRUCTIONS

NOTE:
THE SLEEVE SHOULD BE SET 3MM BELOW
SURFACE LEVEL TO ALLOW THE LID TO SIT
FLUSH WITH THE SURFACE.



INSIDE OF COURT
TOP VIEW
NETBALL EHC60
GROUND SLEEVE POSITION
SCALE 1:2

COMPONENTS

QTY	ITEM
1	HINGE LID COVER
1	500 MM LONG PVC SLEEVE
-	-
-	-
-	-
-	-
-	-
-	-
-	-
-	-
-	-
-	-
-	-
-	-

TITLE: EHC60 HINGE LID COVER	
DRAWING NUMBER: EHC60 ASSEMBLY	
WEIGHT: -	CUBIC MEASURE -



Oz Ring Pty Ltd
Trading as:
Play Hard Sports Equipment
ABN 79 066 094 559
24 Ern Harley Drive
Burleigh Heads Qld 4220
Phone: (07) 5593 4494
Fax: (07) 5593 4338
Website: www.playhardsports.com.au
Email: email@playhardsports.com.au