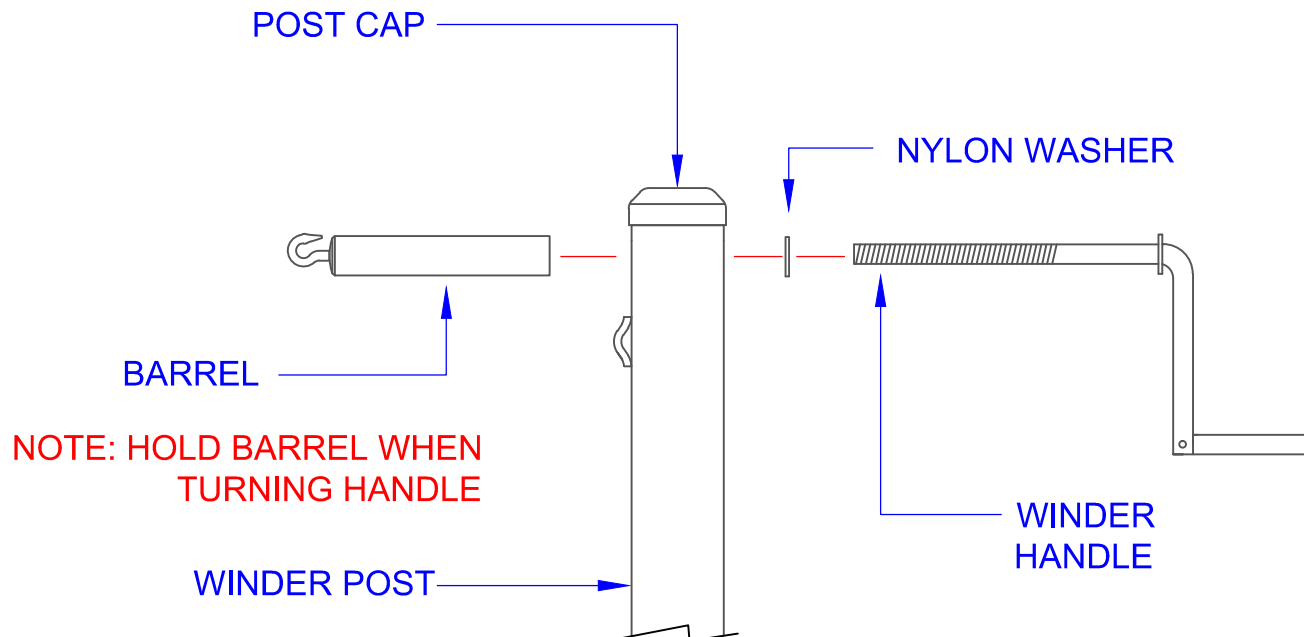
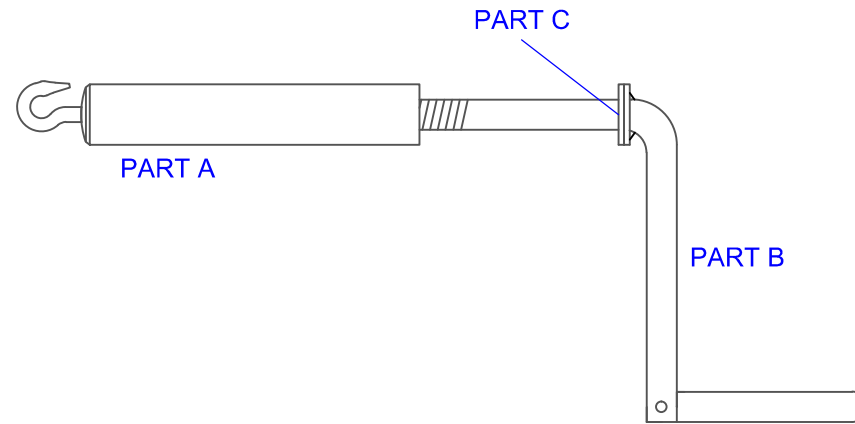


PACKING LIST AND ASSEMBLY (per unit)

Please check your order. If any items are missing please call immediately.

QTY	ITEM DESCRIPTION	PART	PACKED
1	BARREL & HOOK	A	
1	WINDER HANDLE	B	
1	M16 NYLON WASHER	C	



TITLE: TBW16 BARREL WINDER	
DRAWING NUMBER: TBW16 PACKING LIST	
WEIGHT: -	# OF PACKAGES -
ORDER PACKED BY: -	ORDER CHECKED BY: -
	

Oz Ring Pty Ltd
 Trading as:
Play Hard Sports Equipment
 ABN 79 066 094 559
 24 Ern Harley Drive
 Burleigh Heads Qld 4220
 Phone: (07) 5593 4494
 Fax: (07) 5593 4338
 Website: www.playhardsports.com.au
 Email: email@playhardsports.com.au