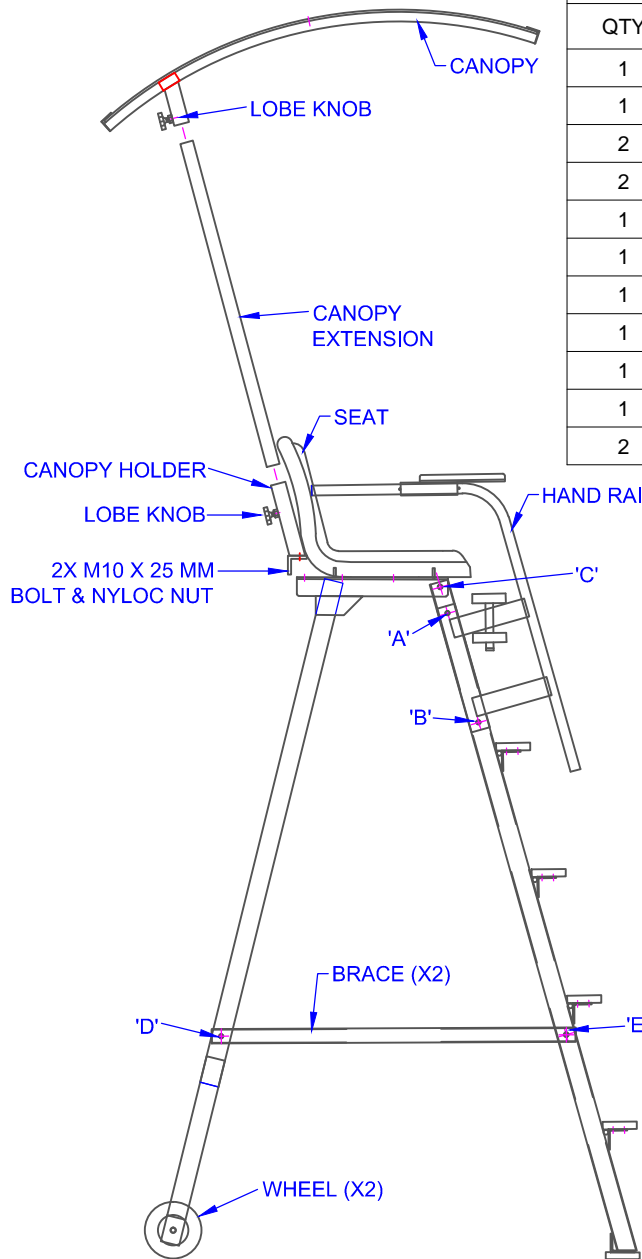
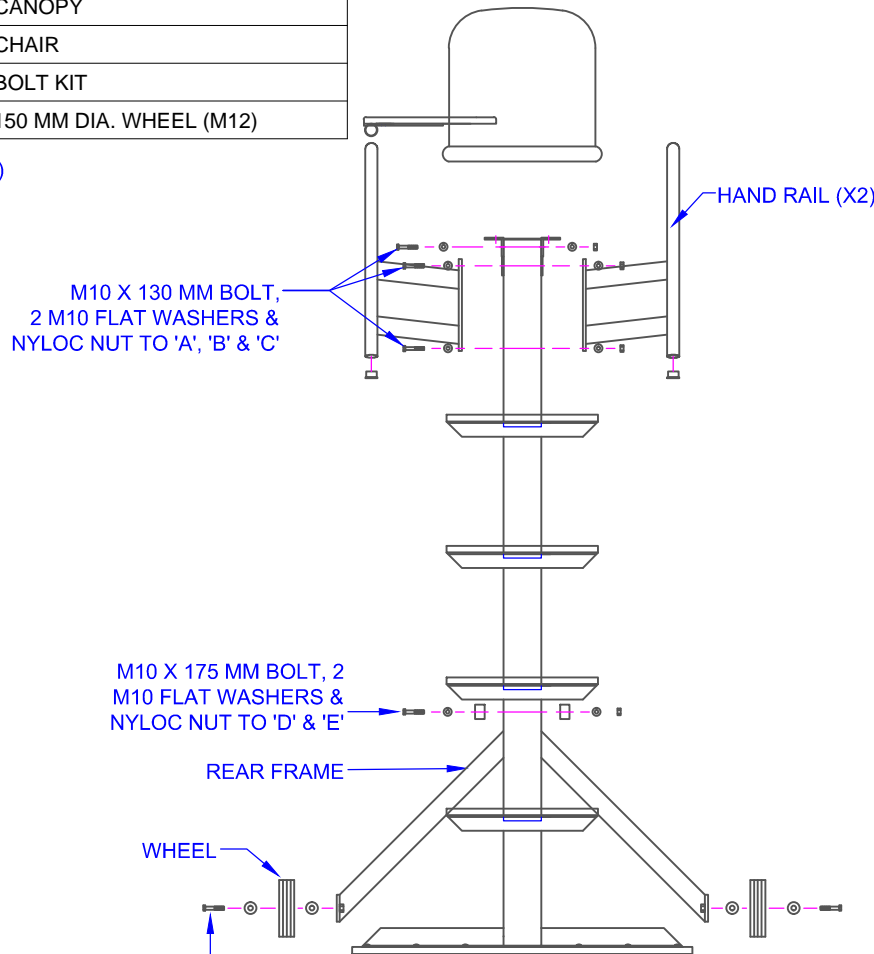


## COMPONENTS

QTY	ITEM
1	FRONT FRAME
1	REAR FRAME
2	BRACE
2	HAND RAIL
1	SEAT
1	CANOPY HOLDER
1	CANOPY EXTENSION
1	CANOPY
1	CHAIR
1	BOLT KIT
2	150 MM DIA. WHEEL (M12)



**TC40**  
SIDE VIEW



**TC40**  
FRONT VIEW

QTY	BOLT KIT
2	M10 X 25 MM GAL HEXHEAD BOLT
3	M10 X 130 MM GAL HEXHEAD BOLT
2	M10 X 170 MM GAL HEXHEAD BOLT
10	M10 FLAT WASHER
7	M10 NYLOC NUT
4	M12 FLAT WASHER
2	M12 X 70 MM GAL HEXHEAD BOLT
2	M10 LOBE KNOB

TITLE: <b>TC40 TENNIS UMPIRE CHAIR</b>	
DRAWING NUMBER: TC40 ASSEMBLY (CLIENT)	
WEIGHT: -	CUBIC MEASURE -



**Oz Ring Pty Ltd**  
Trading as:  
**Play Hard Sports Equipment**  
ABN 79 066 094 559  
24 Ern Harley Drive  
Burleigh Heads Qld 4220  
Phone: (07) 5593 4494  
Fax: (07) 5593 4338  
Website: [www.playhardsports.com.au](http://www.playhardsports.com.au)  
Email: [email@playhardsports.com.au](mailto:email@playhardsports.com.au)