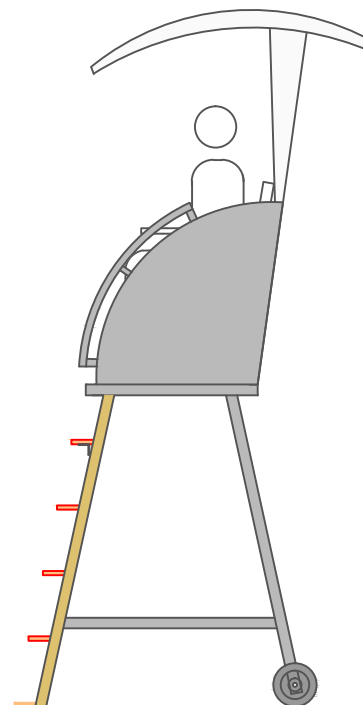
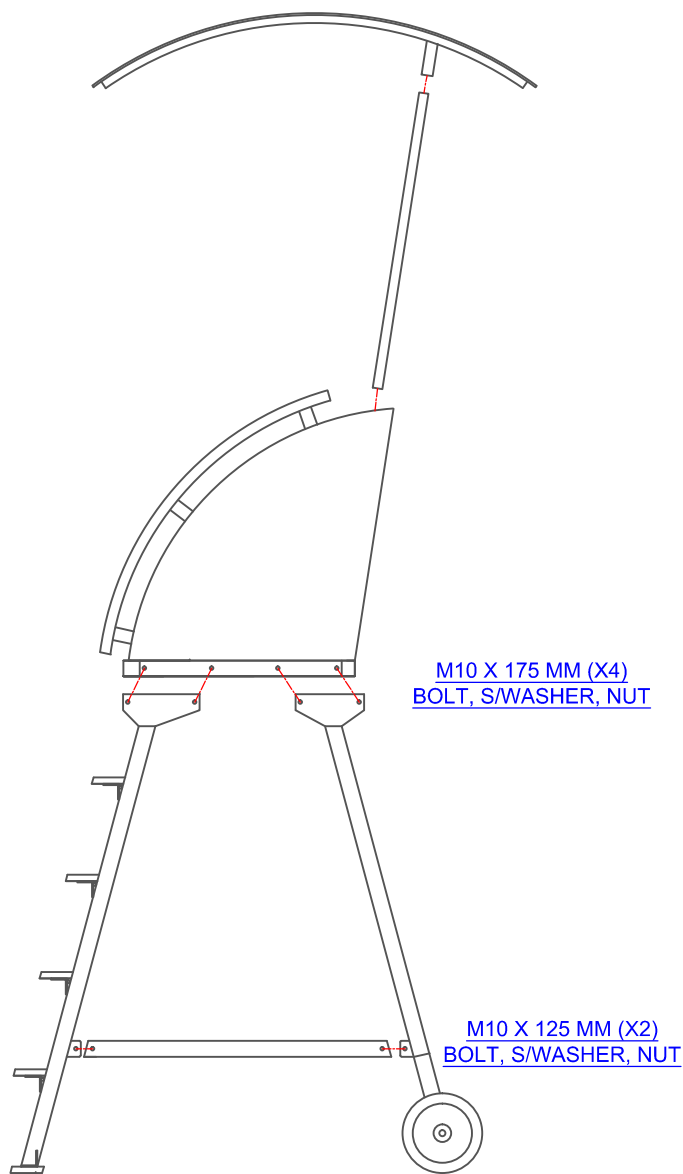


ASSEMBLY INSTRUCTIONS



COMPONENTS

QTY	ITEM
1	SEAT PLATFORM
1	SEAT PEDESTAL
1	MOULDED PADDED SEAT
1	TABLE
1	FRONT STAIR LEG
1	REAR LEG
2	250/50C-PRYQ20 UTILITY WHEELS
1	CANOPY
2	CANOPY SUPPORT ARMS
4	M10 X 175 GAL BOLT, S/WASHER, NUT
2	M10 X 125 GAL BOLT, DOME NUT
4	M10 CLAMPING KNOBS

TITLE: TC60 - ASSEMBLY	
WEIGHT: -	REVISION: -



Oz Ring Pty Ltd
 Trading as:
Play Hard Sports Equipment
 ABN 79 066 094 559
 24 Ern Harley Drive
 Burleigh Heads Qld 4220
 Phone: (07) 5593 4494
 Fax: (07) 5593 4338
 Website: www.playhardsports.com.au
 Email: email@playhardsports.com.au