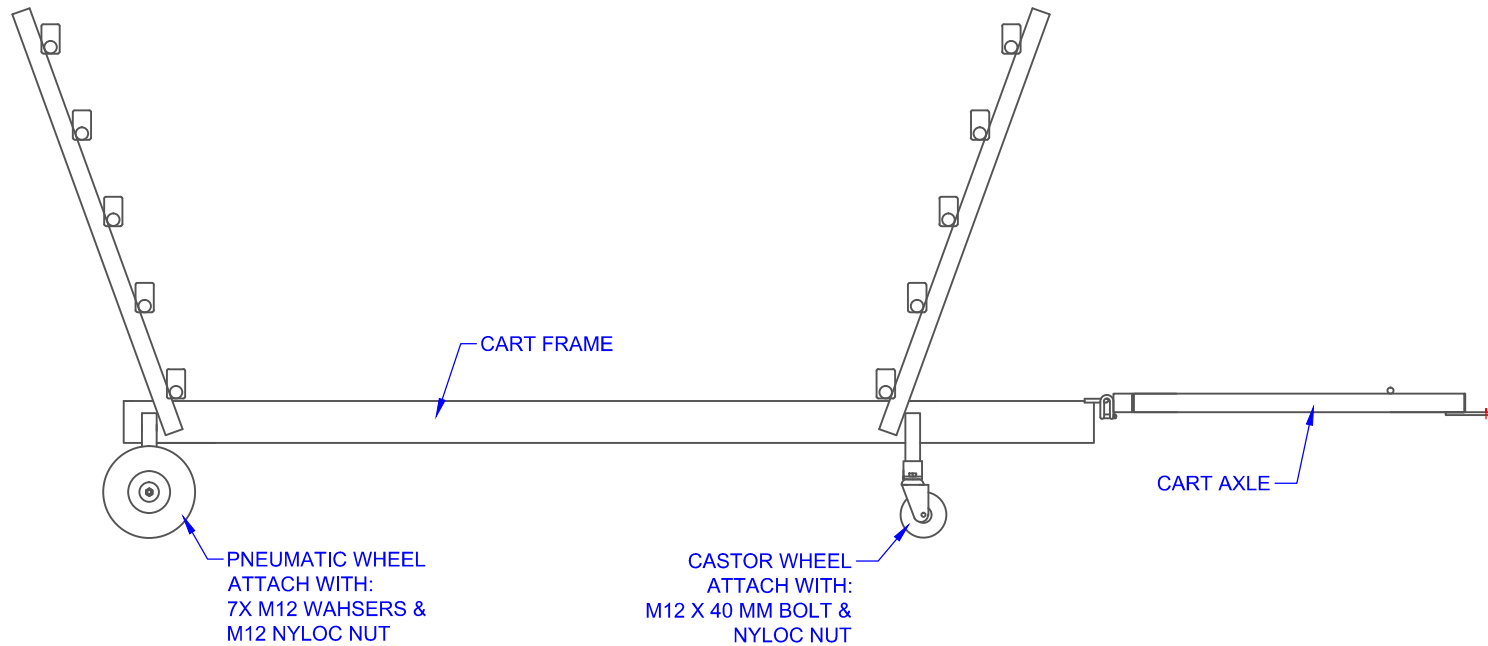


ASSEMBLY INSTRUCTIONS



COMPONENTS

| QTY | ITEM |
|-----|------------------------------|
| 1 | CART FRAME |
| 1 | CART AXLE |
| 2 | PNEUMATIC WHEEL |
| 2 | CASTOR WHEEL |
| 14 | M12 WASHERS (SPACERS) |
| 2 | M12 NYLOC NUT |
| 2 | M12 X 40 MM BOLT & NYLOC NUT |
| - | - |
| - | - |
| - | - |
| - | - |
| - | - |
| - | - |
| - | - |
| - | - |

TITLE: TPV40 POLE VAULT CART ASSEMBLY

DRAWING NUMBER: TPV40 ASSEMBLY

WEIGHT: - CUBIC MEASURE: -



Oz Ring Pty Ltd
 Trading as:
Play Hard Sports Equipment
 ABN 79 066 094 559
 24 Ern Harley Drive
 Burleigh Heads Qld 4220
 Phone: (07) 5593 4494
 Fax: (07) 5593 4338
 Website: www.playhardsports.com.au
 Email: email@playhardsports.com.au