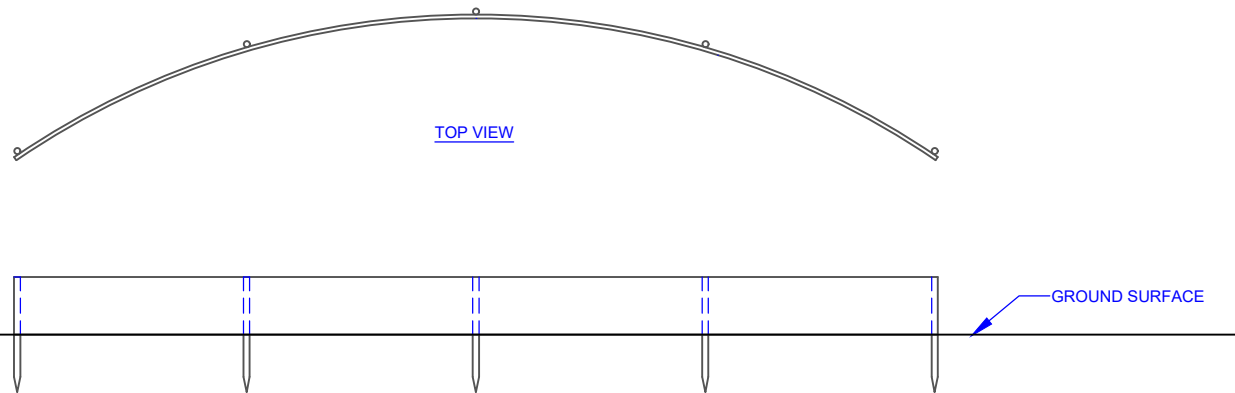


# ASSEMBLY INSTRUCTIONS



TOP VIEW

FRONT VIEW  
TSP40 SHOT PUT TOE BOARD

## COMPONENTS

QTY	ITEM
1	TSP40 TOE BOARD
-	-
-	-
-	-
-	-
-	-
-	-
-	-
-	-
-	-
-	-
-	-
-	-
-	-
-	-
-	-
-	-
-	-

TITLE: <b>TSP40 ASSEMBLY</b>	
DRAWING NUMBER: - ASSEMBLY	
WEIGHT: -	REVISION: -



Oz Ring Pty Ltd  
 Trading as:  
**Play Hard Sports Equipment**  
 ABN 79 066 094 559  
 24 Ern Harley Drive  
 Burleigh Heads Qld 4220  
 Phone: (07) 5593 4494  
 Fax: (07) 5593 4338  
 Website: [www.playhardsports.com.au](http://www.playhardsports.com.au)  
 Email: [email@playhardsports.com.au](mailto:email@playhardsports.com.au)