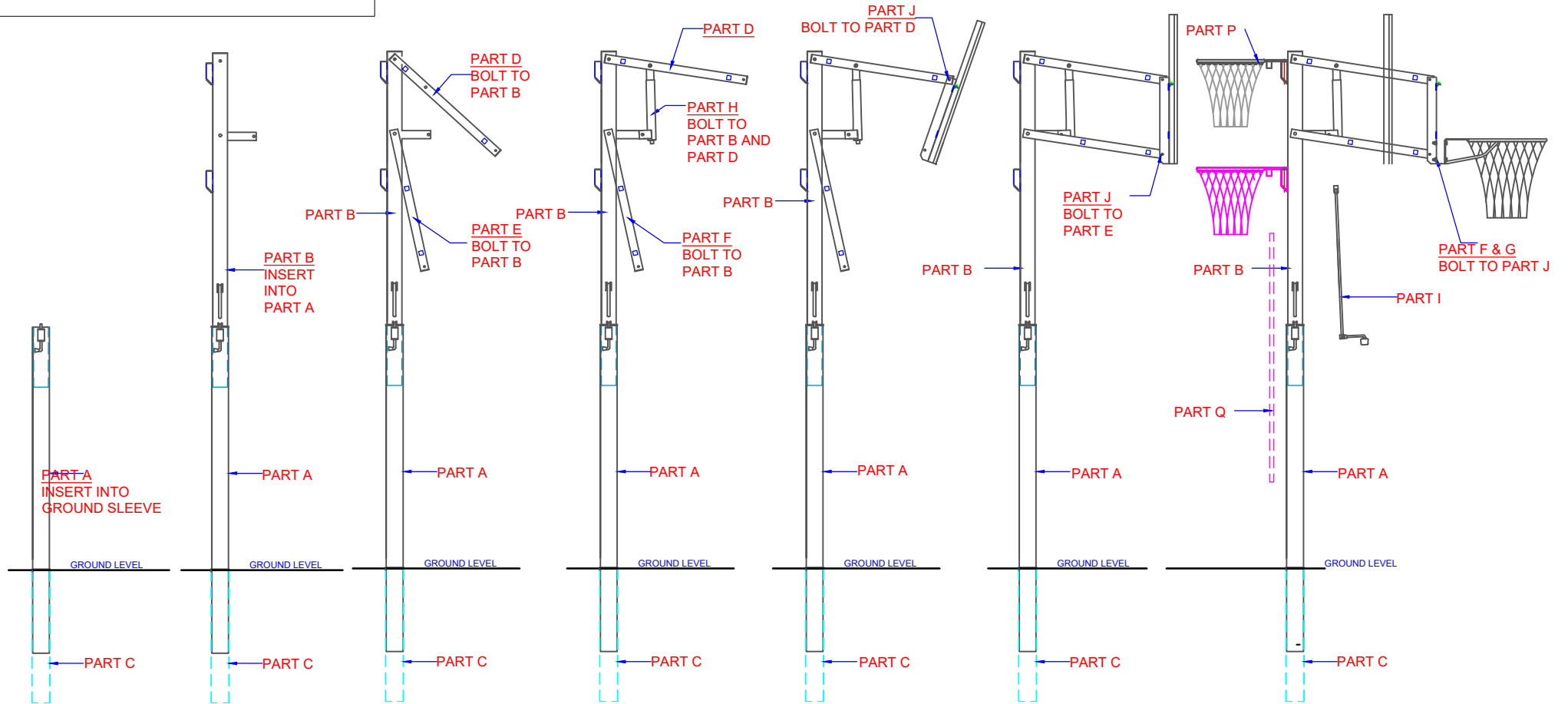
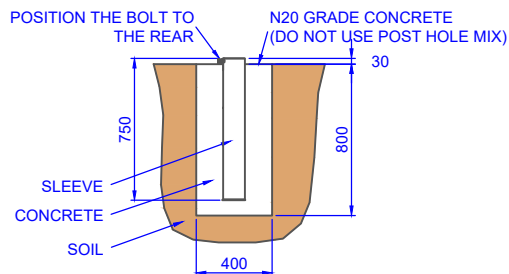


# ASSEMBLY INSTRUCTIONS



USE A SPIRIT LEVEL TO MAKE SURE THE SLEEVE IS VERTICAL

CENTRE OF SLEEVE TO BACKBOARD DISTANCE IS APPROX. 750MM



TITLE: **GAME CHANGER BASKETBALL TOWER**

DRAWING NUMBER: **GAME CHANGER ASSEMBLY 2 OF 3**



**Oz Ring Pty Ltd**  
 Trading as:  
**Play Hard Sports Equipment**  
 ABN 79 066 094 559  
 24 Ern Harley Drive  
 Burleigh Heads Qld 4220  
 Phone: (07) 5593 4494  
 Fax: (07) 5593 4338  
 Website: [www.playhardsports.com.au](http://www.playhardsports.com.au)  
 Email: [email@playhardsports.com.au](mailto:email@playhardsports.com.au)