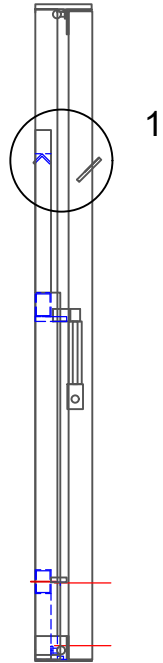
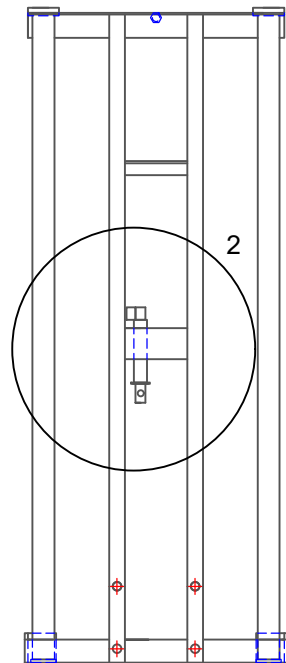
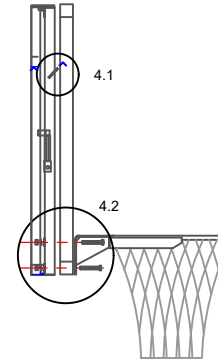
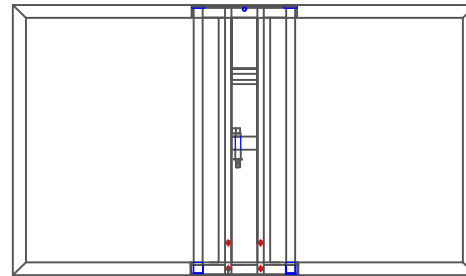
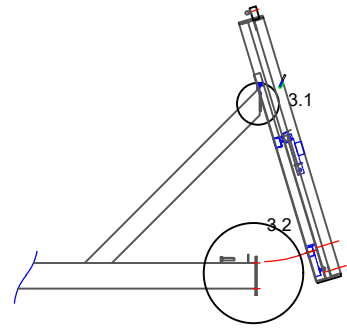


ASSEMBLY INSTRUCTIONS



1



2

ASSEMBLY INSTRUCTIONS ON ATTACHING FRAME TO THE EXTENSION ARM:

1. IDENTIFY THE SIDE OF THE SHF ADJUSTABLE BASKETBALL FRAME THAT CONNECTS TO THE OUTREACH ARM AND BACKBOARD
 - 1.1. THE SIDE CONNECTING TO THE OUTREACH ARM HAS AN "L"-SHAPED ANGLE STEEL AT THE TOP
 - 1.2. THE SIDE CONNECTING TO THE BACKBOARD HAS AN "I" SHAPED PIECE OF FLAT STEEL AT THE TOP
2. TWIST THE LOCKING PIN AND LOWER THE SHF FRAME TO IT'S LOWEST POSITION
3. CONNECT THE SHF FRAME TO THE OUTREACH ARM
 - 3.1. PLACE THE "L" SHAPED ANGLE SECTION OVER THE EXTENDED "I" PIECE OF FLAT STEEL
 - 3.2. ALLOW THE SHF FRAME TO SWING DOWN SLOWLY
 - 3.3. SECURE IN PLACE WITH 2 X 45 MM M10 HEX HEAD BOLTS, FLAT WASHER AND NYLOC NUT.
4. CONNECT THE SHF FRAME TO THE BACKBOARD
 - 4.1. SLIDE THE BACKBOARD FRAME DOWN THE CENTER OF THE SHS FRAME SO THE ANGLE CATCHES ON THE OUTCROPPING FLAT STEEL
 - 4.2. SECURE THE BACKBOARD AND RING IN PLACE BY BOLTING WITH 4 X 125MM M10 BOLTS AND WASHER.

COMPONENTS FOR ONE UNIT ONLY

QTY	ITEM
1	MAIN POST W/NETBALL BRACKET
1	EXTENSION ARM W/NETBALL BRACKET
1	COLLAR WITH LOCKING BOLT
1	BACKBOARD AND FRAME
1	BASKETBALL RING AND NET
1	NR31 NETBALL RING AND NET
1	SN90r TURNING TOOL
1	NETBALL REMOVAL TOOL
4	M10 X 125 GAL BOLT, SPRING WASHER, DOUBLE FLAT WASHER AND NUT
1	M10 X 50 MM GAL BOLT, SPRING WASHER & NUT
1	HEIGHT ADJUSTABLE FRAME
1	SHF TURNING TOOL
2	M10 X 45 MM GAL HEX BOLT, FLAT WASHER, AND NYLOC NUT

TITLE:
SN90r - MULTIPLAY ROTATING BASKETBALL / NETBALL TOWER

DRAWING NUMBER:
MULTIPLAY ASSEMBLY 2

WEIGHT: - CUBIC MEASURE



Oz Ring Pty Ltd
Trading as:
Play Hard Sports Equipment
ABN 79 066 094 559
24 Ern Harley Drive
Burleigh Heads Qld 4220
Phone: (07) 5593 4494
Fax: (07) 5593 4338
Website: www.playhardsports.com.au
Email: email@playhardsports.com.au