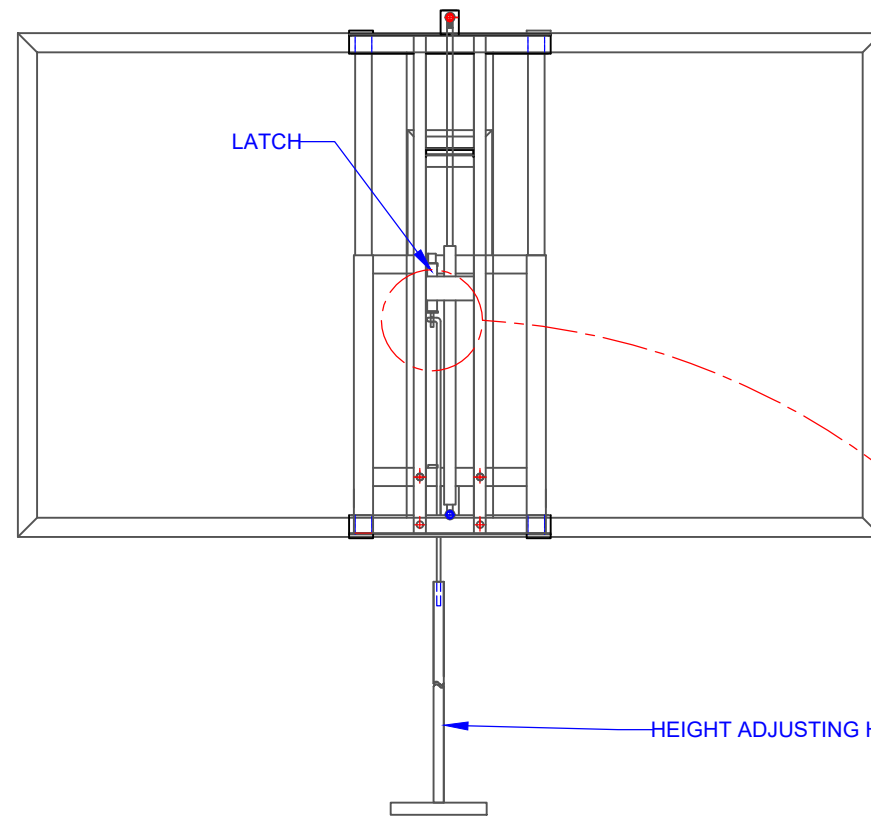
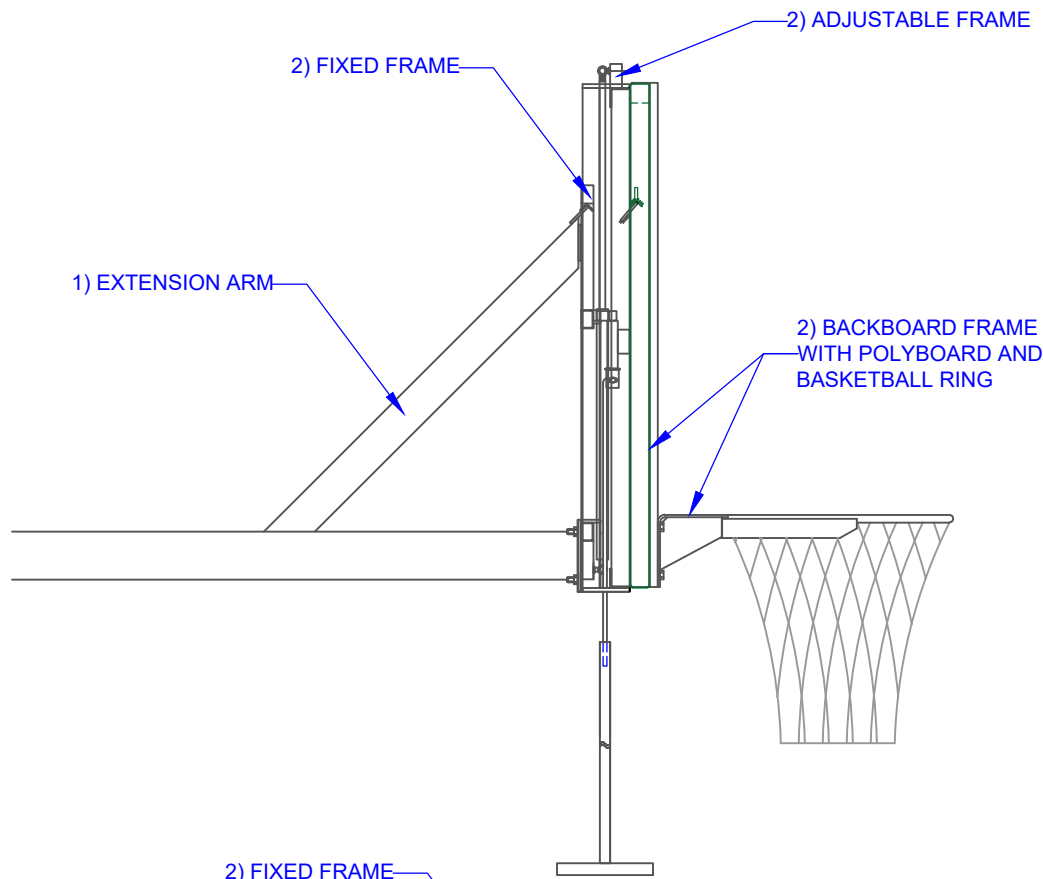
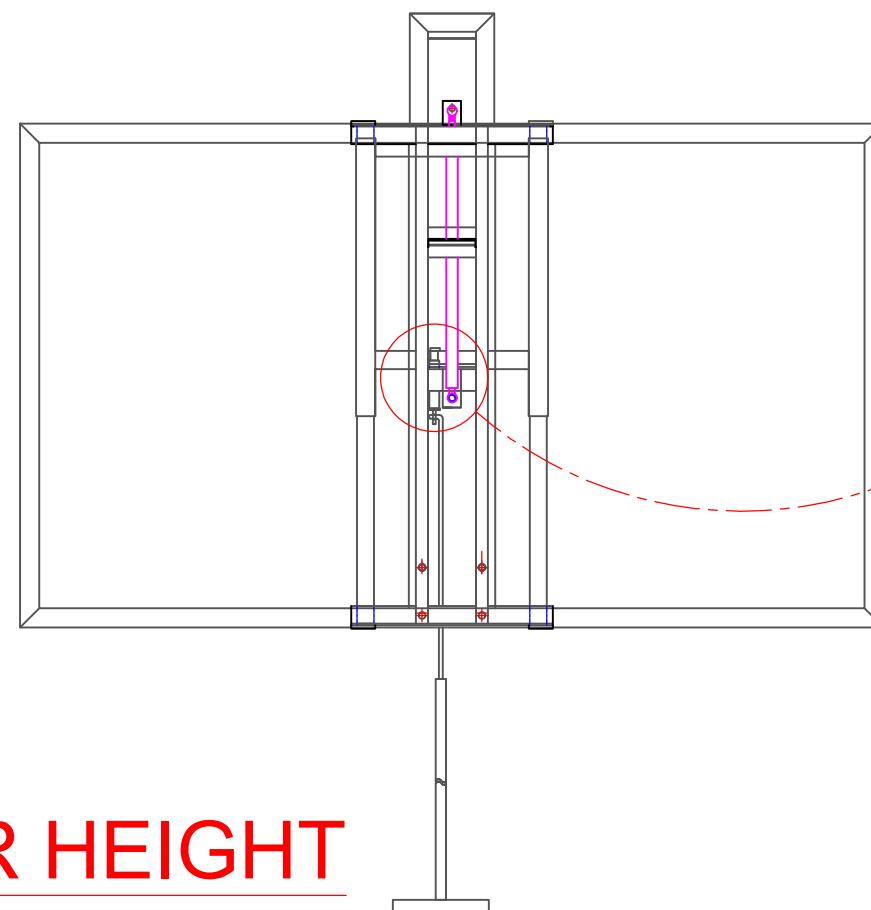
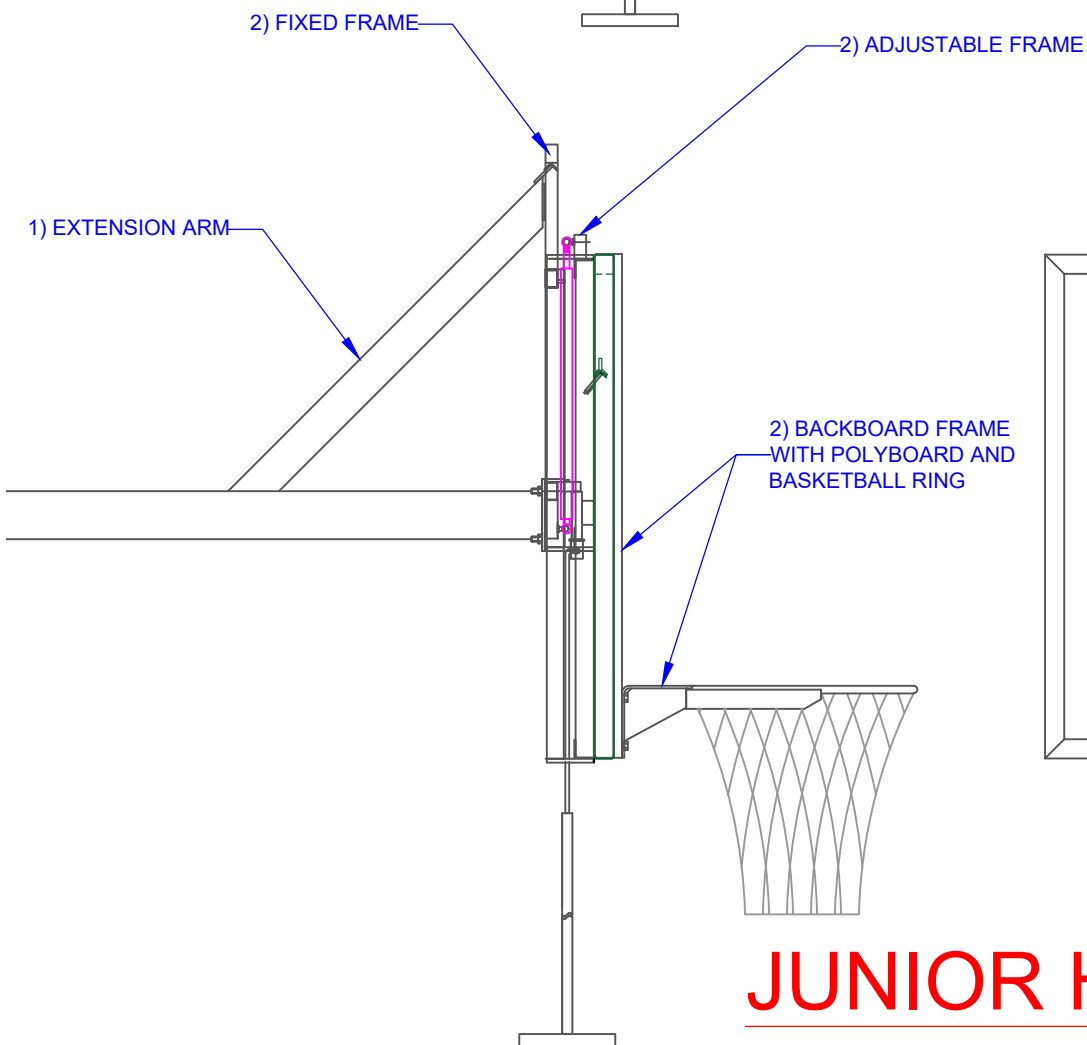


SENIOR HEIGHT



INSTRUCTIONS TO OPERATE THE HAND TOOL FOR HEIGHT ADJUSTMENT:

1. THE HEIGHT ADJUSTING FRAME HAS A LATCH WHICH IS USED TO DISENGAGE THE FRAME AND ADJUST THE HEIGHT.
2. USE THE GAP UNDERNEATH THE FRAME BETWEEN THE FIXED AND MOVING PART TO INSERT THE HAND TOOL INTO THE FRAME.
3. USE THE HOOK AT THE TOP OF THE TOOL TO HOLD ONTO THE LATCH HOLE AS SHOWN IN THE FIGURE.
4. TO LOWER THE FRAME, ROTATE THE LATCH USING THE TOOL AND PULL DOWN THE FRAME.
5. ONCE THE FRAME IS LOWERED TO THE DESIRED HEIGHT, ROTATE THE LATCH SO THAT IT RE-ENGAGE AGAINST THE STOP (FLATBAR) AT THE BOTTOM OF THE FIXED FRAME.
6. TO RESET THE HEIGHT, RELEASE THE LATCH AND SLIGHTLY PUSH THE FRAME UPWARDS AND THE GAS STRUT WILL AUTOMATICALLY RAISE THE FRAME HEIGHT.



JUNIOR HEIGHT

TITLE: SN90r MULTIPLAY BASKETBALL/NETBALL TOWER

DRAWING NUMBER: OPERATION PROCEDURE

DATE: 14/09/2022

DRAWN BY: UMESH CHECKED BY: -



Oz Ring Pty Ltd
 Trading as:
 Play Hard Sports Equipment
 ABN 79 066 094 559
 24 Ern Harley Drive
 Burleigh Heads Qld 4220
 Phone: (07) 5593 4494
 Fax: (07) 5593 4338
 Website: www.playhardsports.com.au
 Email: email@playhardsports.com.au

This Drawing Remains the property of Play Hard Sports Equipment ©

SCALE: SCALE THIRD ANGLE: REV: 1