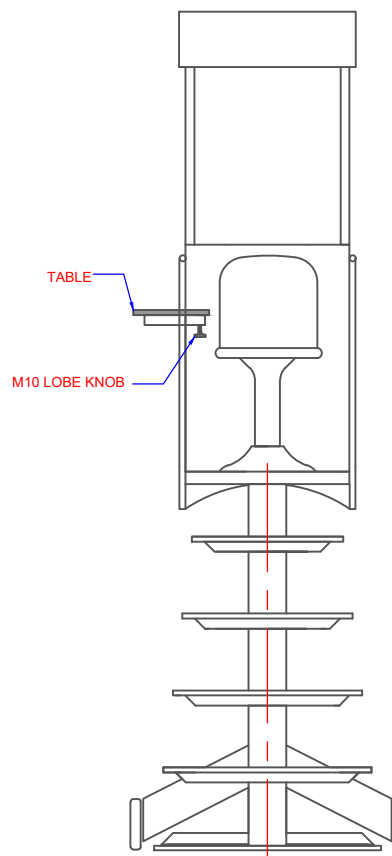
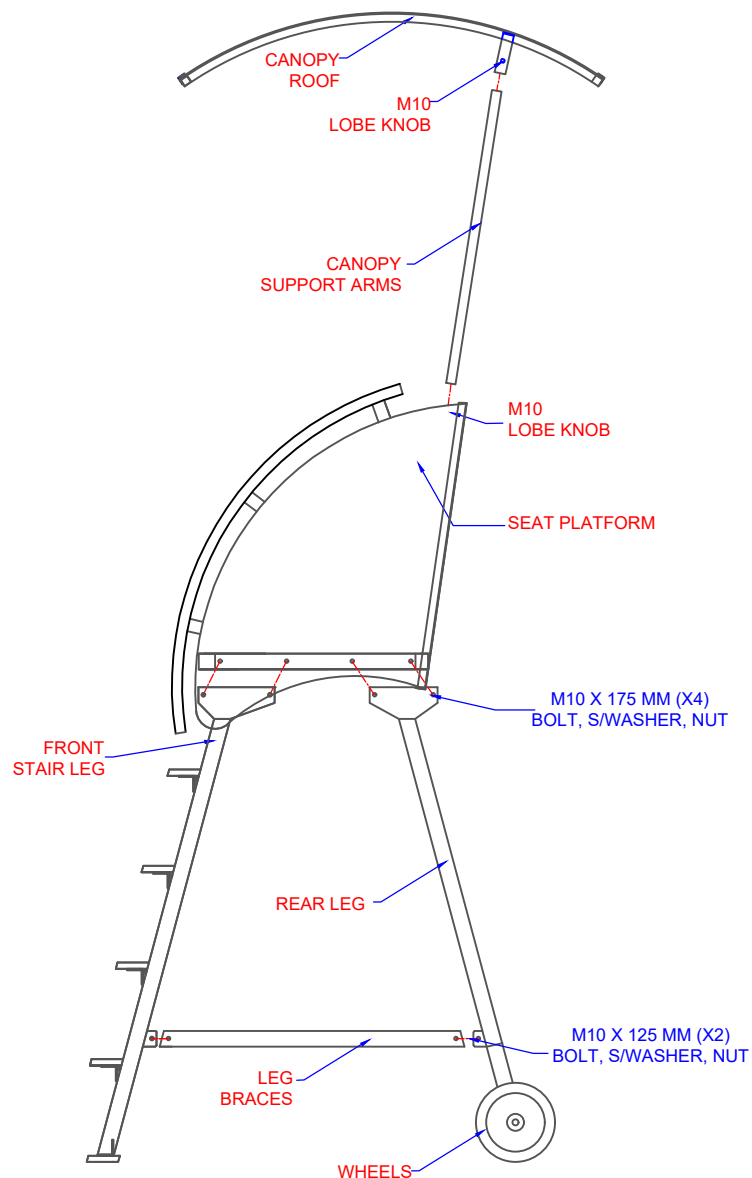


ASSEMBLY INSTRUCTIONS

TC60 UMPIRES CHAIR ASSEMBLY INSTRUCTION.

1. ATTACH THE FRONT STAIR LEG TO THE SEAT PLATFORM USING M10 X 175 MM BOLT, S/WASHER AND NUT THROUGH THE HOLES AT THE BOTTOM OF THE SEAT PLATFORM.
2. SIMILARLY, ATTACH THE REAR LEG TO THE SEAT PLATFORM USING M10 X 175 MM GAL BOLT, S/WASHER AND NUT THROUGH THE HOLES AT THE BOTTOM OF THE SEAT PLATFORM.
3. THEN, ATTACH THE LEG BRACE TO THE BRACE BRACKET AT THE BOTTOM OF BOTH FRONT AND REAR LEG USING M10 X 125 MM GAL BOLT, S/ WASHER AND NUT.
4. ATTACH THE WHEELS PROVIDED USING M20 GAL NUT AND WASHER TO THE BOTH END OF REAR LEG.
5. PLACE THE CANOPY ROOF SUPPORT ARMS IN THE BRACKETS LOCATED IN THE SEAT PLATFORM AND LOCK THEM IN PLACE USING THE M10 LOBE KNOB.
6. PLACE THE CANOPY ROOF ON TOP OF THE SUPPORT ARMS AS SHOWN IN THE DIAGRAM AND LOCK THEM USING M10 LOBE KNOB.
7. SLIDE THE TABLE IN THE BRACKET LOCATED IN THE CANOPY SUPPORT ARM AND LOCK IT IN PLACE USING A M10 LOBE KNOB.
8. THEN ATTACH THE SEA CAPTAIN CHAIR TO THE FLOOR OF SEAT PLATFORM USING 4 X M8 X 90 MM GAL BOLT, WASHER, NYLOC NUT & 2 X M8 X 40 MM GAL BOLT, WASHER, NYLOC NUT



COMPONENTS

QTY	ITEM
1	SEAT PLATFORM
1	SEAT PEDESTAL
1	MOULDED PADDED SEAT
1	TABLE
1	FRONT STAIR LEG
1	REAR LEG
2	250/50C-PRYQ20 UTILITY WHEELS
1	CANOPY ROOF
2	CANOPY SUPPORT ARMS
4	M10 X 175 GAL BOLT, S/WASHER, NUT
2	M10 X 125 GAL BOLT, DOME NUT
5	M10 X 20 CLAMPING KNOBS
4	M8 X 40 GAL BOLT, WASHER, NYLOC
4	M8 X 90 GAL BOLT, WASHER, NYLOC
1	TWIN WALLED ROOF PANEL
2	M20 GAL NUT, WASHER

TITLE: TC60 UMPIRE CHAIR - CUSTOMER ASSEMBLY

WEIGHT: - REVISION: -



Oz Ring Pty Ltd

Trading as:

Play Hard Sports Equipment

ABN 79 066 094 559

24 Ern Harley Drive

Burleigh Heads Qld 4220

Phone: (07) 5593 4494

Fax: (07) 5593 4338

Website: www.playhardsports.com.au

Email: email@playhardsports.com.au