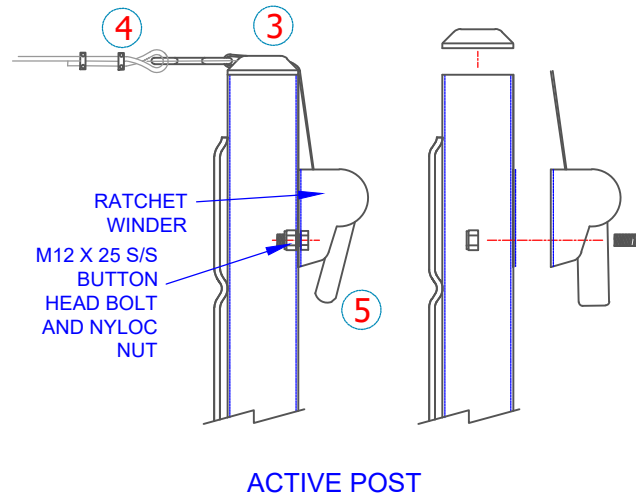
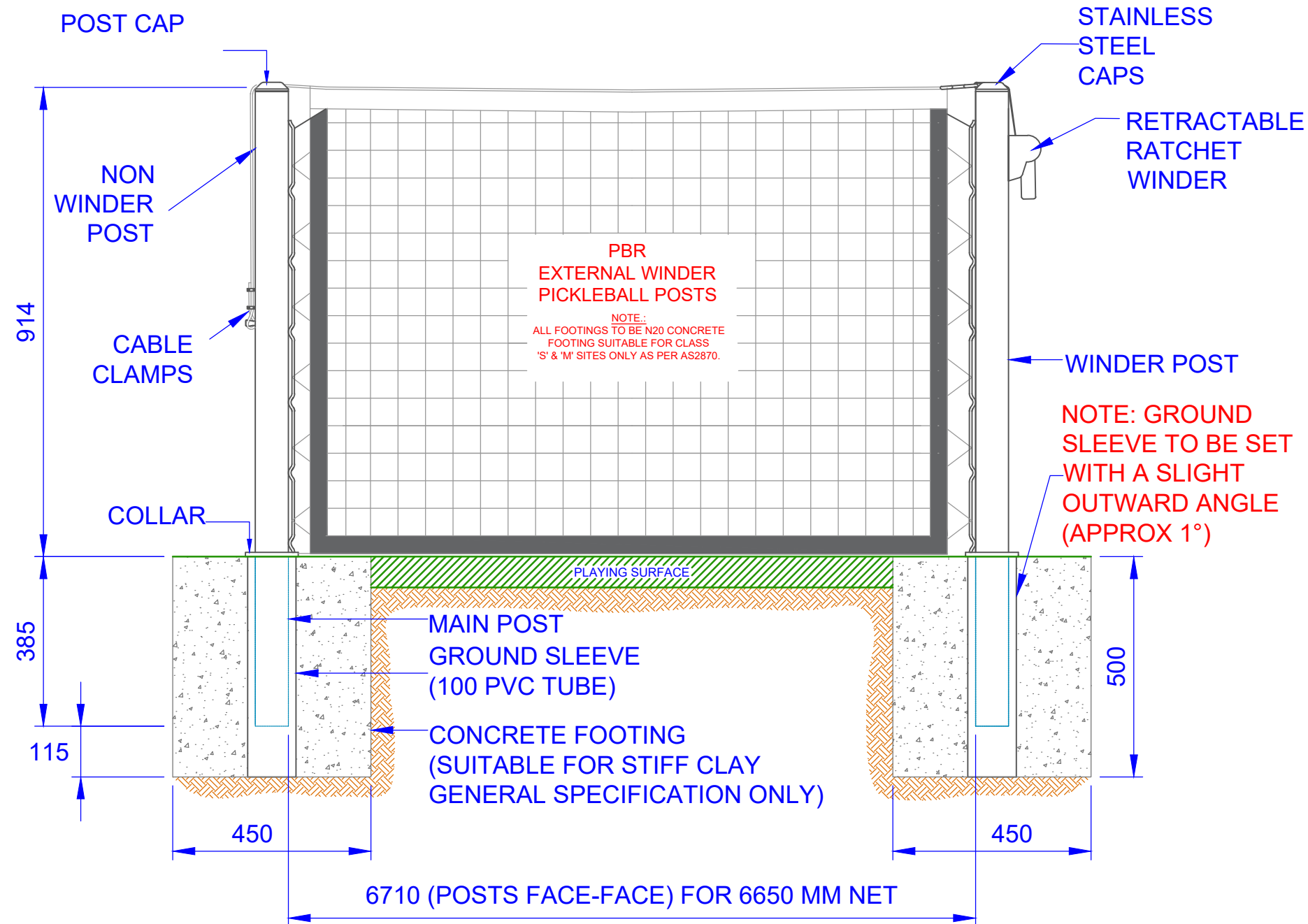


- INSTRUCTION TO ATTACH NET**
1. INSERT THE POST INTO THE GROUND SLEEVE. ENSURE THE WAVERAILS ON EACH POST ARE FACING EACH OTHER.
 2. HOOK ONE END OF THE NET ROPE WITH EYE TO THE HOOK IN THE INACTIVE POST.
 3. PASS THE ROPE OVER THE GROOVE IN THE INACTIVE POST CAP AND FEED THE OTHER END OF THE ROPE THROUGH THE GROOVE IN THE ACTIVE POST AS SHOWN.
 4. THEN, HOOK THE OTHER END OF THE ROPE WITH EYE TO THE STRAP OF THE RATCHET WINDER.
 5. USE THE RATCHET WINDER'S HANDLE TO TIGHTEN THE NET.



QTY	ITEM DESCRIPTION
1	NON WINDER POST (1.32M LONG) WITH INTERNAL BOLT SHAFT
1	WINDER POST (1.32M LONG) WITH RATCHET WINDER MECHANISM
2	STAINLESS STEEL POST CAPS
2	POST COLLAR
1	FULTON RETRACTABLE RATCHET (TRANSOM TIE DOWN - 2" STRAP W/ S-HOOK) BOLT-ON FUNCTION
1	M12 X 25 MM S/S BUTTON HEAD BOLT AND NYLOC NUT
OPTIONS	
2	EP75 PVC SLEEVE AND EL75 DROP IN CAP
2	EHC75p PVC SLEEVE WITH HINGED LID CAP
2	EHC75s STEEL SLEEVE WITH HINGED LID CAP



TITLE: PBR (PICKLE BALL RATCHET WINDER) RATCHET WINDER POST

DRAWING NUMBER: ASSEMBLY

DATE: WEIGHT:



Oz Ring Pty Ltd
Trading as:
Play Hard Sports Equipment
ABN 79 066 094 559
24 Ern Harley Drive Burleigh Heads Qld 4220
Phone: (07) 5593 4494 Fax: (07) 5593 4338
Website: www.playhardsports.com.au
Email: email@playhardsports.com.au