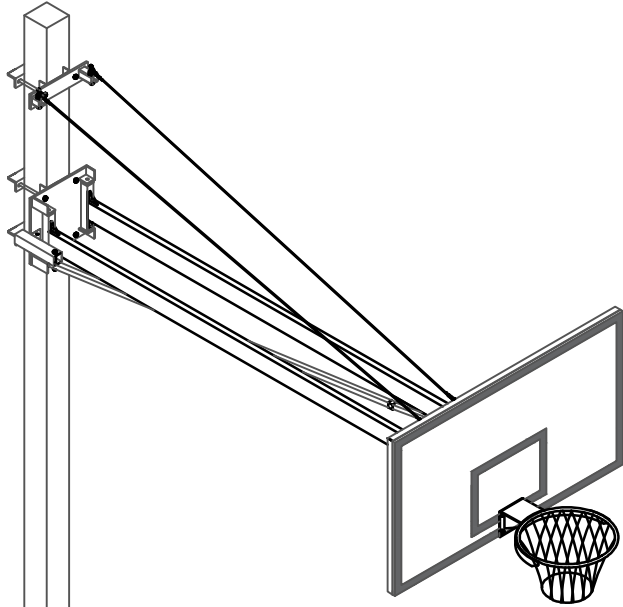
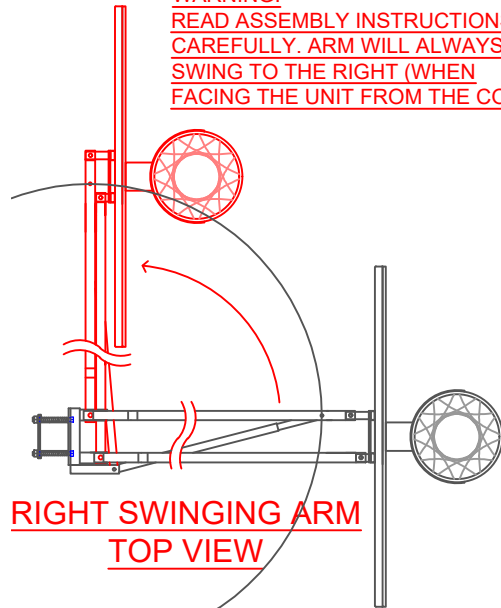


# ASSEMBLY INSTRUCTIONS



**ISOMETRIC VIEW**

**WARNING:**  
 READ ASSEMBLY INSTRUCTIONS  
 CAREFULLY. ARM WILL ALWAYS  
 SWING TO THE RIGHT (WHEN  
 FACING THE UNIT FROM THE COURT)

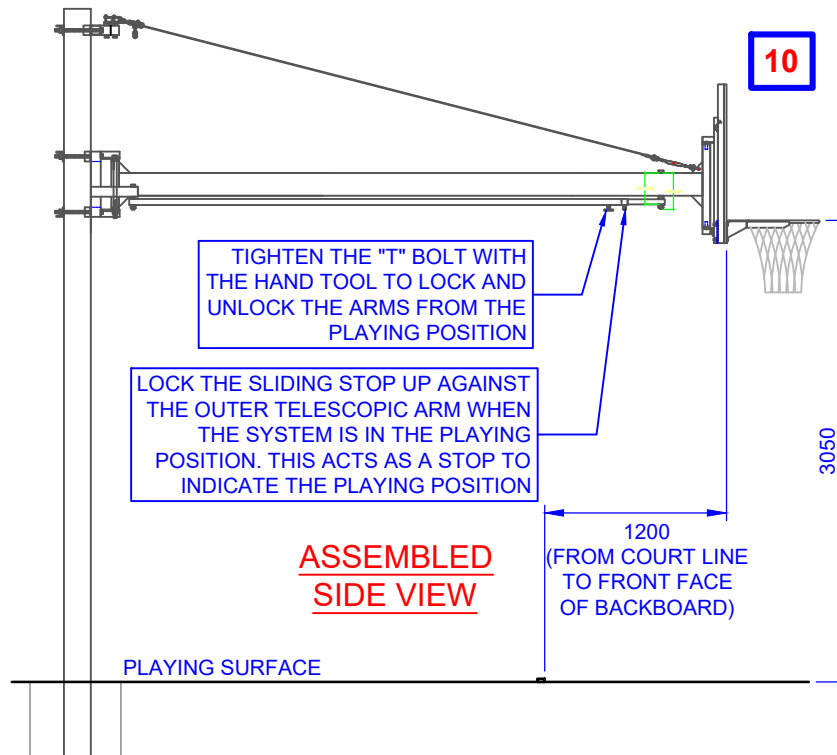


**RIGHT SWINGING ARM  
 TOP VIEW**

| QTY             | ITEM DESCRIPTION  |
|-----------------|---|
| 1               | 178 MM SQ MAIN POST (ALUMINIUM)                           |
| 1               | ARM MOUNTING BRACKET                                      |
| 1               | CABLE MOUNTING BRACKET                                    |
| 3               | CLAMPING PLATES   |
| 1               | EXTENSION ARM 'A'   |
| 1               | EXTENSION ARM 'B'   |
| 2               | M10 D'SHACKLE BOLT (WELDED), WASHER & NYLOC NUT           |
| 1               | BACKBOARD MOUNTING BOTTOM PLATE                           |
| 1               | BACKBOARD MOUNTING FRAME                                  |
| 1               | BACKBOARD & FRAME   |
| 1               | R11b BASKETBALL RING                                      |
| 1               | BASKETBALL NET, PE CORD, INSTRUCTIONS                     |
| 1               | TELESCOPIC BRACE (3 PARTS) WITH 'T' BOLT ON CHAIN         |
| 1               | RAPTOR TURNING TOOL                                       |
| 2               | M10 S/S RIGGING SCREW & 'D' SHACKLE                       |
| 2               | 5 MM CABLE, EYE TWO ENDS                                  |
| <b>BOLT KIT</b> |   |
| 2               | M20 X 400 MM (H.T.) GAL HEX BOLT, FLAT WASHER & NYLOC NUT |
| 6               | M20 X 240 MM (H.T.) GAL HEX BOLT, SPRING WASHER & NUT     |
| 1               | M16 X 240 MM GAL HEX BOLT, NUT, WASHER & NYLOC NUT        |
| 1               | M16 X 150 MM GAL HEX BOLT, NUT, WASHER & NYLOC NUT        |
| 2               | M12 X 50 MM GAL HEX BOLT, WASHER, S/WASHER & NUT          |
| 4               | M10 X 110 MM HEX BOLT, S/WASHER, NUT & 8 X WASHERS        |
| 4               | M10 'D' SHACKLE (FOR CABLES)                              |
| 4               | M20 NYLON WASHER  |
| 4               | M16 NYLON WASHER  |

# INSTRUCTION OVERVIEW

| STEP    | INSTRUCTION  |
|---------|--|
| 1       | CONCRETE MAIN POST INTO FOOTING AS PER DIMENSIONS PROVIDED   |
| 2A & 2B | BOLT ARM MOUNTING PLATE AND CABLE MOUNTING PLATE TO MAIN POST USING CLAMPING PLATES AND BOLTS PROVIDED. CONFIRM HEIGHTS.     |
| 3       | ATTACH BOTH EXTENSION ARMS TO MOUNTING PLATE USING M20 X 400 MM 8.8 H.D.G HEX BOLT AND NYLOC NUT. USE M20 NYLON WASHER       |
| 4       | ATTACH 'D' SHACKLE BOLTS, CABLES AND RIGGING SCREWS AS SHOWN. LEVEL EXTENSION ARMS WITH PLAYING COURT.                       |
| 5       | ATTACH TELESCOPIC BRACE TO EXTENSION ARM AND ARM MOUNTING BRACKET (SEE NEXT PAGE ON HOW TO LOCK TOWER IN PLACE).             |
| 6       | SIT THE BACKBOARD MOUNTING FRAME ON THE END OF THE EXTENSION ARMS. USE M16 NYLON WASHER AS SHOWN.                            |
| 7       | LOCK THE BACKBOARD MOUNTING FRAME TO THE EXTENSION ARM USING THE BACKBOARD MOUNTING BOTTOM PLATE AND BOLTS PROVIDED.         |
| 8       | REST THE BACKBOARD AND FRAME ON THE ANGLED PIECE PROTRUDING FROM THE BACKBOARD MOUNTING FRAME                                |
| 9       | BOLT THE RING ON USING THE BOLTS PROVIDED. THESE BOLTS WILL ALSO SECURE THE BACKBOARD AND FRAME TO THE UNIT.                 |
| 10      | CHECK ALL MEASUREMENTS ARE CORRECT AND THE TELESCOPIC BRACE HAS BEEN SET UP TO LOCK IN THE CORRECT POSITION (SEE SIDE VIEW). |



**ASSEMBLED  
 SIDE VIEW**

TITLE:  
**RAPTOR BASKETBALL TOWER  
 ASSEMBLY INSTRUCTIONS**

DRAWING NUMBER:  
**RAPTOR ASSEMBLY 1 OF 2**

DRAWING NUMBER: DRAWING NUMBER:



**Oz Ring Pty Ltd**  
 Trading as:  
**Play Hard Sports Equipment**  
 ABN 79 066 094 559  
 24 Ern Harley Drive  
 Burleigh Heads Qld 4220  
 Phone: (07) 5593 4494  
 Fax: (07) 5593 4338  
 Website: [www.playhardsports.com.au](http://www.playhardsports.com.au)  
 Email: [email@playhardsports.com.au](mailto:email@playhardsports.com.au)