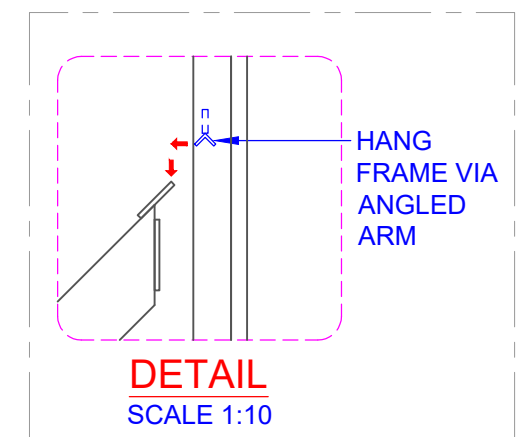


COMPONENTS

QTY	ITEM
1	MAIN POST
1	EXTENSION ARM
1	BACKBOARD AND FRAME
1	RING, CORD AND NET
4	M10 X 90 MM BOLT, DOUBLE FLAT WASHER, SPRING WASHER & NUT
4	M16 X 180 MM H.T. BOLT, S/WASH, NUT
1	POLE PLATE 175 X 200 MM



TITLE: **FORCE 10 BASKETBALL TOWER**
ASSEMBLY INSTRUCTIONS 2 OF 2

DRAWING NUMBER:
FORCE 10

DRAWN BY:
UMESH

CHECKED BY:
-

DATE:
29/04/2024



Oz Ring Pty Ltd
Trading as:
Play Hard Sports Equipment
ABN 79 066 094 559
24 Erin Harley Drive
Burling Heads Qld 4220
Phone: (07) 5593 4494
Fax: (07) 5593 4338
Website: www.playhardsports.com.au
Email: email@playhardsports.com.au