



2/2/2025

AURORA PLAYERS SHELTER

Installation, Operation &
Maintenance Manual

PLAY HARD SPORTS EQUIPMENT

13 Alex Fisher Drive
Burleigh Heads, QLD 4220

Contents

Introduction	2
About the Aurora Series	2
Certificate of Compliance:	Error! Bookmark not defined.
Safety Information for the Installer:	3
Important Safety Information	3
Assembly Precautions.....	3
Site Specific Precautions:.....	3
Installation Instructions	4
Assembly Diagram	9
Maintenance:.....	10
Safety Guidelines (Usage)	10
Warranty Certificate:	11

13 Alex Fisher Drive, Burleigh Heads, QLD 4220 (Australia)

Ph: 1300 851 518 | +61 7 5593 4494

Email: email@playhardsports.com.au | W: www.playhardsports.com.au

Introduction

Thank you for choosing the Aurora Series Players' Shelter from Play Hard Sports Equipment Australia. Ideal for various sports fields such as soccer, AFL, Rugby, & Hockey these shelters are built with high-quality materials to ensure long-lasting performance. This manual will guide you through assembly, installation, and maintenance to ensure optimal use of your new shelters.

About the Aurora Series

The PHS Aurora are modern and unique player shelters, designed and manufactured by Play Hard Sports Equipment using Structural-Grade Aluminium. These shelters have been modelled off the uniquely designed Hockey player shelters for the XXI Commonwealth Games Hockey Competition on the Gold Coast. All the materials used in our products have been locally sourced. It has a modular design for easy transportation and assembly on-site. It is available in 2,4,6,8,10 & 12 players seating options. In addition, we also offer 4-seat technical benches for match officials. With a modular design, it can be modified to make it wheel-chair-friendly. We also offer free-standing shelters on wheels

With a tinted UV stable twin-walled polycarbonate roof sheet, the shelter is 4 degrees cooler than standard clear acrylic panelling or any other roofing. Extended Roof models are also available for superior shelter overhang which enables greater weather protection for players.

Product Specifications:

- **Models:**
- **Footing Slab:** 150 mm on Natural Ground
- **Material:** 6061-T6 Aluminium for higher Yield Strength
- **Seat and Back Rest:** Standard Aluminium Seat and Backrest. Choice of bucket seat options also available on request
- **Color Options:** Various Paint Colors are available on request
- **Roof Material:** Tinted UV stable twin-walled polycarbonate
- **Padding:** Option available for seats and backrest

Model	Seating Capacity
Aurora 2	2
Aurora 4	4
Aurora 6	6
Aurora 8	8
Aurora 10	10
Aurora 12	12
Aurora Tech Bench	4

Apart from our standard product range, we offer custom shelters based on site-specific requirements. Please contact our team for further details.

All our products' footing has been engineered to be suitable for site soil classification as Class 'A', 'S' & 'M' per AS2870. Site-specific footing and slab engineering must be done for other Soil Classes. We also offer site-specific engineering drawings if required with additional charges.

13 Alex Fisher Drive, Burleigh Heads, QLD 4220 (Australia)

Ph: 1300 851 518 | +61 7 5593 4494

Email: email@playhardsports.com.au | W: www.playhardsports.com.au

Safety Information for the Installer:

Important Safety Information

- **Read the Manual:** Ensure you read this manual in full before beginning assembly or installation.
- **Supervision:** Children should be supervised around the shelter during and after installation.
- **Wear Safety Gear:** Always wear appropriate safety gear during assembly and installation.
- **Avoid Electrical Hazards:** Keep electrical tools away from the goalposts and ensure the work area is dry.

Assembly Precautions

- **Two-Person Job:** Assembly requires at least two people to ensure safety and accuracy.
- **Check Parts:** Verify all parts are present and undamaged before starting assembly.
- **Level Ground:** Assemble on a flat surface to avoid instability.

Site Specific Precautions:

- Before commencing any groundwork, please survey the ground/field for underground electrical, water, or sewage lines and check for overhead electrical lines.
- It is advised that the soil is tested to know its strength. All our Goalposts have been structurally designed to suit 'A', 'S' & 'M' Soils per AS2870. The contractors/installers must notify Play Hard Sports Equipment of any changes to the site specification. All other soil sites would require site-specific footing and slab engineering design.
- The concrete must be of a minimum 32 MPA – Slab on Grade Exposed to Weather, with a slump of 80 – 100 mm, and a maximum aggregate of size 20mm.
- Let the concrete set for at least 4 days before commencing further work.

13 Alex Fisher Drive, Burleigh Heads, QLD 4220 (Australia)

Ph: 1300 851 518 | +61 7 5593 4494

Email: email@playhardsports.com.au | W: www.playhardsports.com.au

Installation Instructions

1. Packing List:

The player shelter is modular in design, so, the quantities of the parts supplied will depend on the number of players being seated and the table and the picture below provide the quantities.

Table 1: Aurora Model Parts List

Model/ Parts	4	6	8	10	12	Tech Bench
Left End Upright Panel	1	1	1	1	1	1
Right End Upright Panel	1	1	1	1	1	1
Centre Upright	1	2	3	4	5	1
Screen Frame	2	3	4	5	6	2
Seat	1 x 2.267m	1 x 3.375m	1 x 4.483m	1 x 5.59m	2 x 3.349m	1 x 2.267m
Back Rest	1 x 2.267m	1 x 3.375m	1 x 4.483m	1 x 5.59m	2 x 3.349	1 x 2.267m
Tech Bench	0	0		0	0	1
M10 x 60 S/S Button Head Bolt & Spring Washer with M10 x 38mm Mud Guard Washer	8	12	16	20	24	8
M10 x 150 mm Concrete Screws	6	8	10	12	14	6
M10 x 75 mm Concrete Screws	0	0	0	0	0	4
Hex Head Metal Seat Screws	6	8	10	12	14	6

13 Alex Fisher Drive, Burleigh Heads, QLD 4220 (Australia)

Ph: 1300 851 518 | +61 7 5593 4494

Email: email@playhardsports.com.au | W: www.playhardsports.com.au

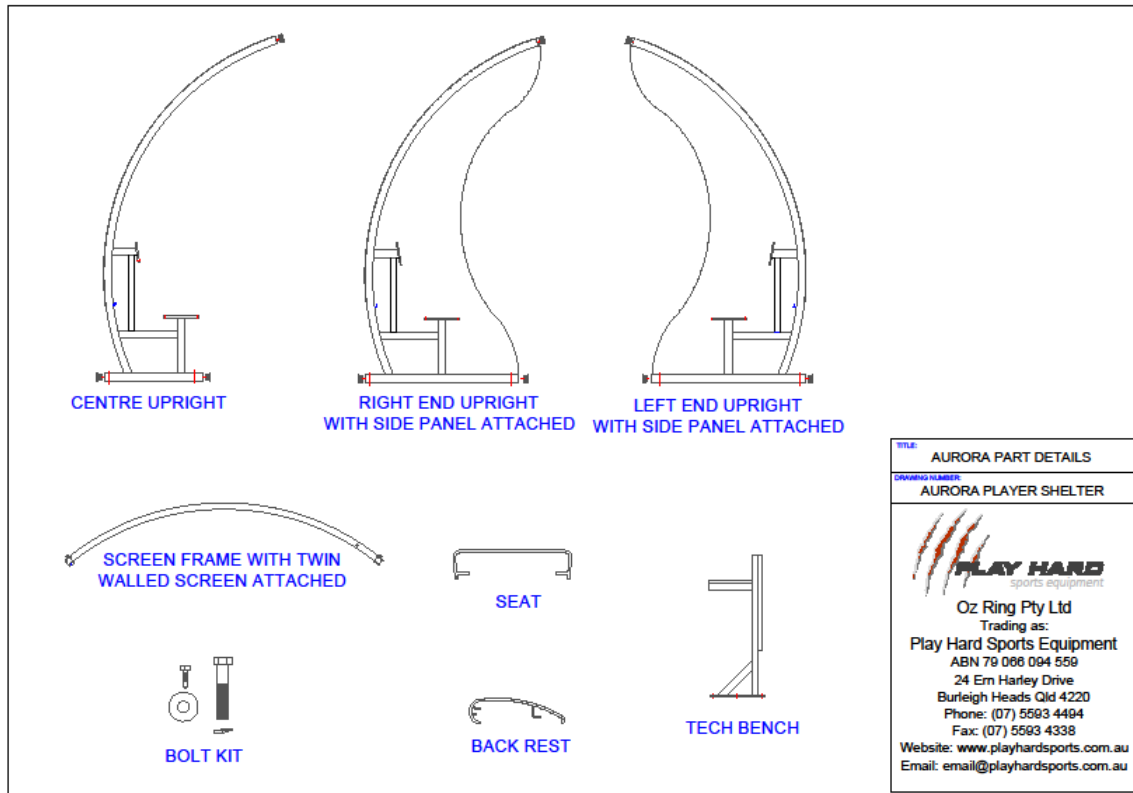


Figure 1 : Aurora Player Shelter Components

2. Site Preparation and Slab Foundation:

- Before commencing any groundwork, please survey the ground/field for underground electrical, water, or sewage lines and check for overhead electrical lines.
- It is advised that the soil is tested to know its strength. All our shelters have been structurally designed to suit 'A', 'S' & 'M' Soils per AS2870. The contractors/installers must notify Play Hard Sports Equipment of any changes to the site specification. All other soil sites would require site-specific footing and slab engineering design.

13 Alex Fisher Drive, Burleigh Heads, QLD 4220 (Australia)

Ph: 1300 851 518 | +61 7 5593 4494

Email: email@playhardsports.com.au | W: www.playhardsports.com.au

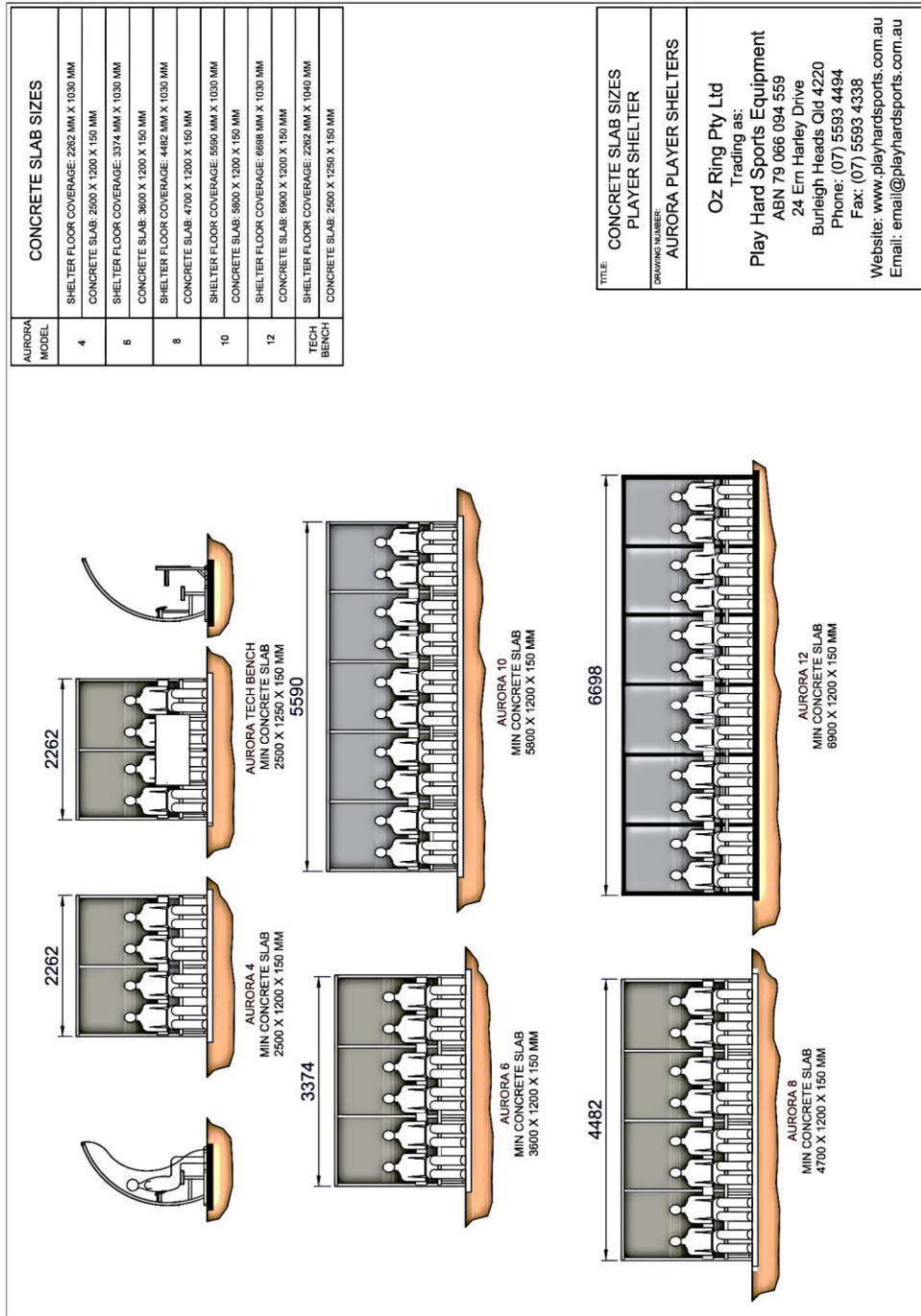


Figure 2: Aurora Footing Slab Sizes

13 Alex Fisher Drive, Burleigh Heads, QLD 4220 (Australia)

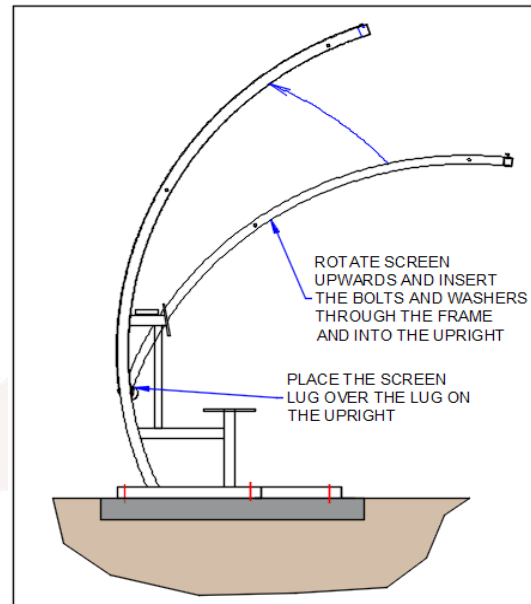
Ph: 1300 851 518 | +61 7 5593 4494

Email: email@playhardsports.com.au | W: www.playhardsports.com.au

- Select the desired location for the shelter to be installed. Prepare the subgrade and foundation relevant standard with SL72 Fabric Top and Bottom – 30mm Cover Minimum with 50mm Sand Bed + 0.2mm membrane Under.
- Then, pour a 150mm deep foundation slab with N12 perimeter edge trimmer bar lap + COG 450mm as required. The total length of the N12 bar depends on the Aurora Model as required.
- The concrete must be of a minimum 32 MPA – Slab on Grade Exposed to Weather, with a slump of 80 – 100 mm, and a maximum aggregate of size 20mm.
- Let the concrete set for days before commencing further work.

3. Assembling the Player Shelter:

- Open both shipment packs and identify the components and, locate the M10 stainless steel button head screws and the frame spacer.
- Hold two uprights so the screen will fit between them.
- Place the two lugs on the bottom of the screen into the lugs on each upright.
- Rotate the screen into the uprights till it fits flush with the upright.
- Insert the screw, spring washer and mudguard washer through the screen frame and into the uprights. (Loosely tighten the uprights till all screens are in place).



Do not remove the TAPE backing for the seat and backrest. It is extremely adhesive and difficult to remove if placement is incorrect.

4. Once the player shelter is loosely assembled, place the seat, and hang the backrest to assist with aligning the shelter.
5. Lift the player shelter into position and mark holes to be drilled on the slab (a marking plan should be provided)

6. Once holes are marked, lift the shelter out of position about 100 mm and drill the 12 mm holes for the M12 holes for the anchor screws.
7. Move the shelter back into position.
8. Use a Rattle gun to drive in the M12 anchor bolts
9. Remove the backing from the backrest. Then hang the backrest from the top of the mounting plates and rotate the backrest securing the tape to the mounting plates.
10. Remove the backing from the seat and place the seat securing the tape to the mounting plates.
11. *Remove the Cover sheet from the Polycarbonate sheeting (leaving this on in the heat will melt it into the sheet and make it impossible to be removed).*

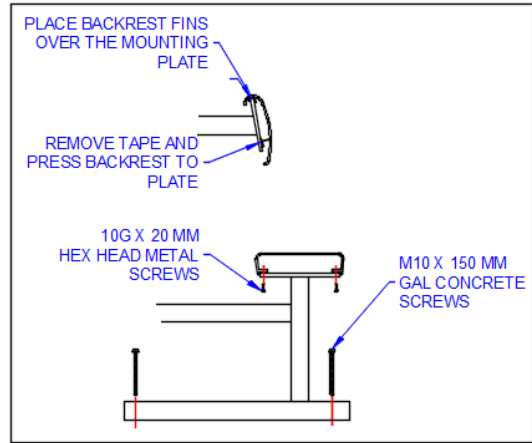


Figure 3: Seat & Backrest Assembly

Assembly Diagram

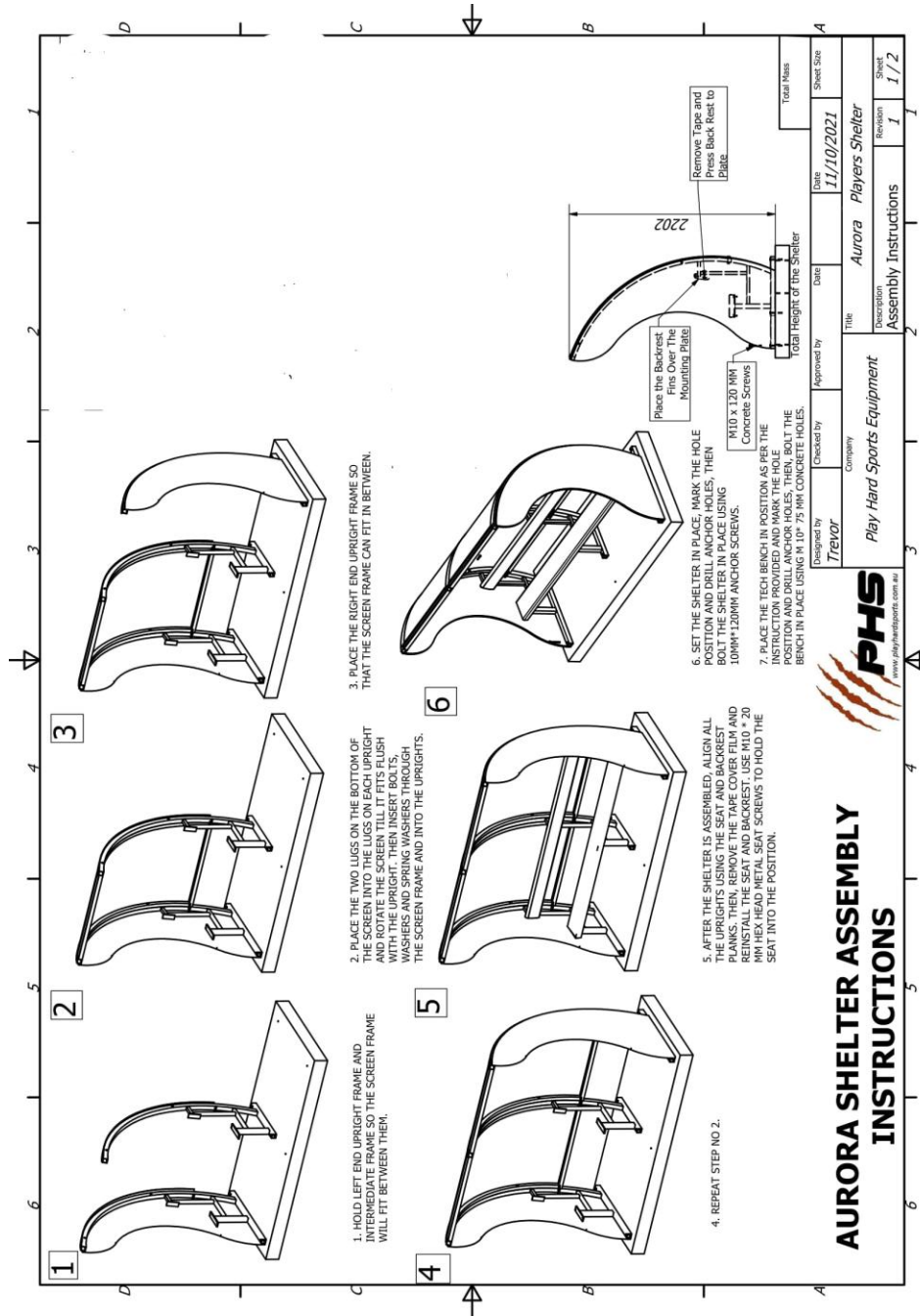


Figure 4: Typical Aurora Assembly

13 Alex Fisher Drive, Burleigh Heads, QLD 4220 (Australia)

Ph: 1300 851 518 | +61 7 5593 4494

Email: email@playhardsports.com.au | W: www.playhardsports.com.au

Maintenance:

All our shelters are designed to require a minimal level of maintenance. However, it is advisable to:

- **Regular Inspections:** Check for any signs of wear or damage. Tighten the bolts and spacer on the screen frame.
- **Cleaning:** Clean the posts with a damp cloth to remove dirt. Avoid harsh chemicals that could damage the paint. If the poles have been scratched over the intended period of use, lightly scuff the area and apply 2 coats of paint (spray painted).

Safety Guidelines (Usage)

1. During visual inspection, if the bolts are loosened or the post or footing is damaged, the post should not be used until they have been repaired.
2. **Supervision:**
 - Supervise play, especially with younger players, to ensure safety.

13 Alex Fisher Drive, Burleigh Heads, QLD 4220 (Australia)

Ph: 1300 851 518 | +61 7 5593 4494

Email: email@playhardsports.com.au | W: www.playhardsports.com.au

Warranty Certificate:



When you purchase a Play Hard Sports Equipment product you have the peace of mind in knowing that your product is covered by Play Hard Sports Equipment's 5-year manufacturer's warranty against faulty workmanship and materials.

The warranty covers damage or failure of the product during normal intended use. The warranty does not include damage to the product resulting from accident, misuse, improper installation, operation, or unauthorised repair or alteration. Products manufactured for home use are not guaranteed for use in commercial applications.

If the product should become defective within the warranty period, please get in touch with Play Hard Sports Equipment customer service:

24 Ern Harley Drive

Burleigh Heads QLD 4220

Ph: (07) 55934494

Fax: (07) 55934338

Email: email@playhardsports.com.au

13 Alex Fisher Drive, Burleigh Heads, QLD 4220 (Australia)

Ph: 1300 851 518 | +61 7 5593 4494

Email: email@playhardsports.com.au | W: www.playhardsports.com.au